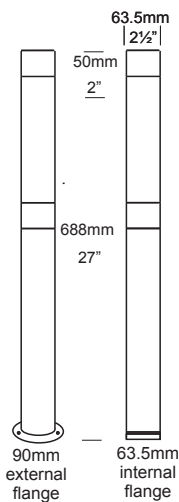
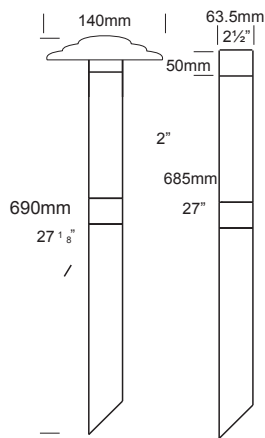


Bollard 700 PURE LED

Cat. BOL700/L



PURE LED
Pure Performance



The Bollard 700 Pure LED is ideal for garden edges, driveways, walkways and carparks. The acrylic lens reflects light at two angles through an anti-glare mesh directly onto the ground and horizontally to illuminate the surrounding landscape.

The Retro™, which is a mains option, avoids the need to bury a driver. The 110/240 volt electronic driver is built into the pole and is a double insulated safety isolating power source.

The Hunza PURE LED system uses CREE MTG-2 chips for maximum performance and long life. The power supply options include a choice of 12 or 120/240 volt (Retro) drivers. There is an external remote driver (series connection) option also. The PURE LED system incorporates HUNZA's Plug-and-Play system for easy replacement of either the LED engine or integral driver in the field. A choice of Warm or Cool White colour temperatures are available.

- * At 700mA this fitting is the equivalent of a 35w halogen fitting.
- * At 1050mA this fitting is the equivalent of a 50w halogen fitting.

Ordering Information

Luminaire	Driver mA	Colour Temp	Accessories	Material/Finish
BOL700/L	S - Series D3 - 12v/350mA D7 - 12v/700mA D10 - 12v/1050mA R - 110 or 240v Retro	2 - 2700K 3 - 3000K 4 - 4000K 39 - 3000k (90+ CRI)	BOLOP - Opaque Lens CJK150 - Cable Joint Kit FM - Flange Mount FM90 - External 90mm Flange Mount H - Anti-glare Hood	BK - Black BZ - Bronze GN - Green STAR - Silver Star WH - White WB - Birch DG - Dark Grey OG - Olive Green RG - Beige PR - Primrose COP - Copper SS - 316 Stainless

Ordering Example: BOL700/L R110 3 BOLOP SS

HUNZA™ PURE OUTDOOR LIGHTING

HUNZA FACTORY
130 Felton Mathew Ave
Saint Johns
Auckland 1072
New Zealand

Ph: 64-9-528 9471
Fax: 64-9-528 9361
hunza@hunza.co.nz
www.hunza.co.nz

INTERNATIONAL CONTACTS:
www.hunza.co.nz/contacts.php

Specifications may change without notice.
Manufactured in New Zealand.
© 2014 Hunza Holdings Ltd.

Luminaire Construction

CNC machined from one of the following metals:

High corrosion resistant 63.5mm (2½") x 10mm (25/64") aluminium. End cap - solid aluminium 63.5 (2½") rod, pole - 63.5mm (2½") x 3.25mm (1/8") x 620mm (24½") with chromate substrate and high UV resistant polyester powder coat. **Colours** Black, Bronze, Green, Silver Star, White, Birch, Dark Grey, Olive Green, Beige, Primrose.

Copper 63.5mm (2½") x 10mm (13/32"). End cap - Solid copper 63.5mm (2½") rod pole - 63.5mm (2½") x 3.25mm (1/8") x 240mm (9½")

316 Stainless steel 63.5mm (2½") x 9mm (11/32"). End cap - solid 316 stainless steel 63.5mm (2½") rod pole - 63.5mm x 3.25mm (1/8") x 240mm (9½").

Luminaire Weight

12 volt: Alum .870kg (1lb 14oz)
Cop 2.290kg (5lb)
SS 2.170 kg (4lb 12 oz)

Retro: Alum 2.700 kg (5lb 15oz)
Cop 5.200 kg (11lb 7oz)
SS 4.650 kg (10lb 4oz)

Features

Lens

UV Stable polycarbonate lens with anti-glare mesh and dual angle reflector projects light horizontally and at 45° onto the ground.

Gaskets

Silicone, iron impregnated 220°c (428°f)

Accessories

Cable Joint Kit (Cat. CJK150)
Opaque Lens (Cat.LENSBOLOP)
Flange Mount (Cat. FM)
External 90mm Flange Mount (Cat. FM90)
H - Anti-glare Hood

Mounting

Set in concrete in the ground or specify with flange mount option, which bolts to concrete, tiling or wooden decks.

Technical Information

Standards

AS/NZS 61046
IP56/IP66/IP67 UL 1838

LED

Cree MTG-2 Plug and Play, field replaceable LED board.

Lumen Output: 610 at 1050mA

Lumens Per watt: 85 minimum

CRI Warm White (3000k): 85+

Colour Temp: 2,700, 3,000 or 4,000K

High CRI Option (3000K): 90+ (lumen output decreases by 15%)

Power Supply

Series (Remote) Driver Constant current driver LED requirements
Output: 6vdc at 1050mA maximum

Integral 12 Volt Driver

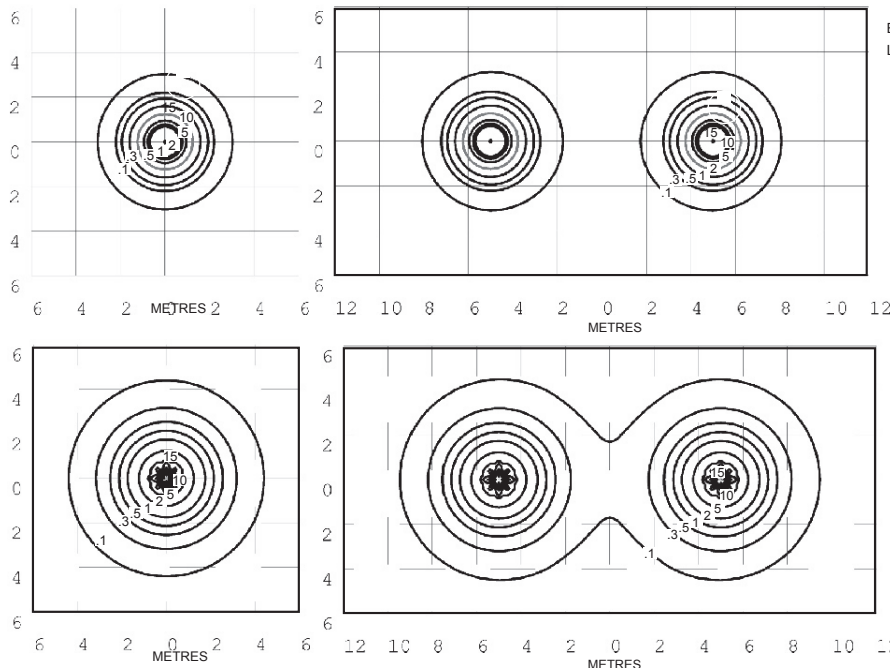
Hunza™ Plug and Play Driver
Input: 12vac, 14 watt total Output: 350 / 700 / 1000mA
(1050mA limited ≤ 40° Ambient temperature in Stainless Steel)

Transformer

Hunza™ Wall Mount Transformer for use with integral 12 volt driver

Retro 110 or 240 Volt Driver

Hunza™ Retro Driver
Input: 120 or 240vac, 10 watt total
Output: 6vdc, 700mA
0-10 volt dimming.
(USA - non dimmable)



Bollard 300 Driven at 700mA
Lens height 300mm (12")

Bollard 300 Driven at 1050mA
Lens height 300mm (12")

Isolux Lumens Plot -
Footcandles =
Isolux figures divided by 10.76

HUNZA™ PURE
OUTDOOR
LIGHTING

HUNZA FACTORY
130 Felton Mathew Ave
Saint Johns
Auckland 1072
New Zealand

Ph: 64-9-528 9471
Fax: 64-9-528 9361
hunza@hunza.co.nz
www.hunza.co.nz

INTERNATIONAL CONTACTS:
www.hunza.co.nz/contacts.php

Specifications may change without notice.
Manufactured in New Zealand.
© 2014 Hunza Holdings Ltd.